



250 Staunton Turnpike, Parkersburg, WV 26104

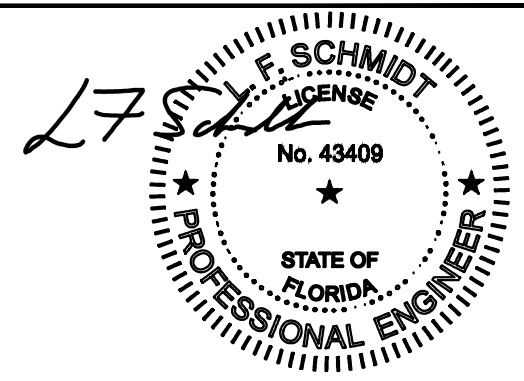
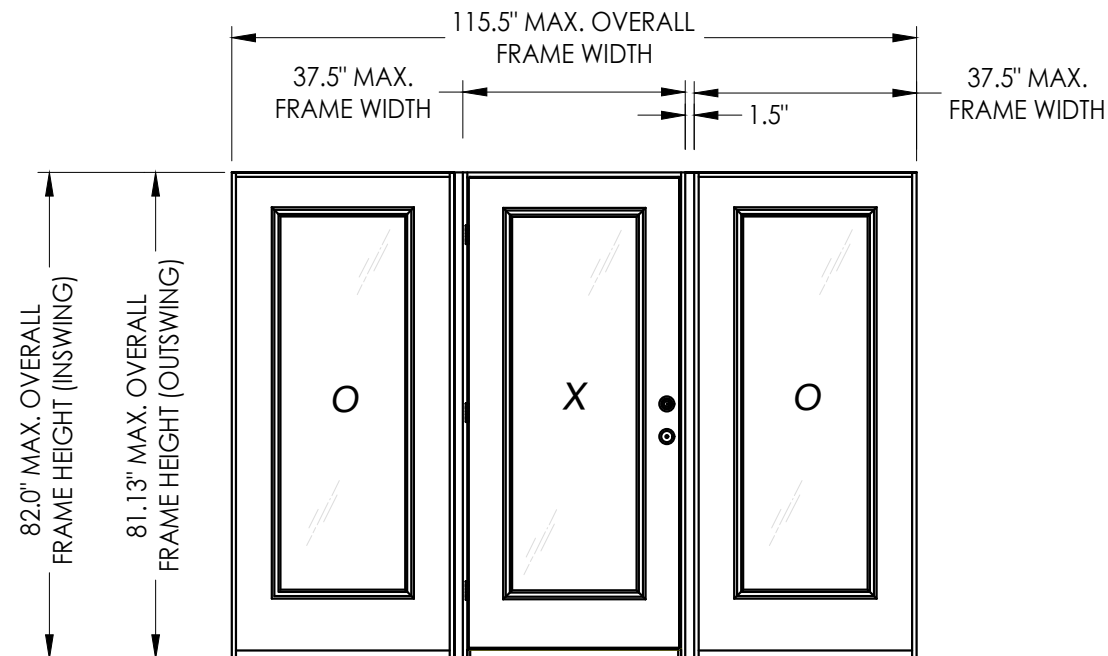
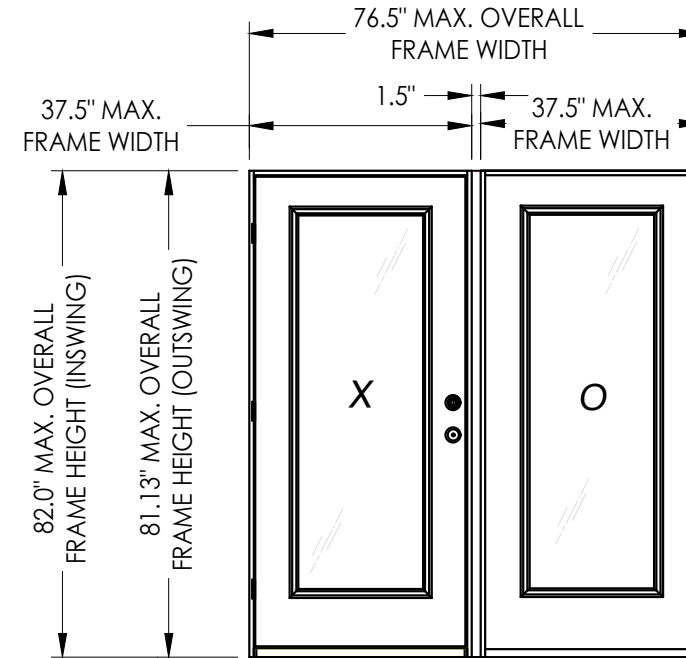
## WINCORE FIBERGLASS ENTRY DOOR INSWING / OUTSWING "IMPACT"

### GENERAL NOTES

- This product has been evaluated and is in compliance with the 8th Edition (2023) Florida Building Code (FBC) structural requirements including the "High Velocity Hurricane Zone" (HVHZ).
- Product anchors shall be as listed and spaced as shown on details. Anchor embedment to base material shall be beyond wall dressing or stucco.
- When used in the "HVHZ" this product complies with Section 1626 of the Florida Building Code and does not require an impact resistant covering.
- When used in areas outside of the "HVHZ" requiring wind borne debris protection this product complies with FBC Sections 1609.1.2 & R301.2.1.2 and does not require an impact resistant covering. This product meets missile level "D" and includes Wind Zone 4 as defined in ASTM E1996 and FBC Sections 1609.1.2.2 & R301.2.1.2.1.
- For 2x stud construction, anchoring of these units shall be the same as that shown for 2x buck masonry construction.
- Site conditions that deviate from the details of this drawing require further engineering analysis by a licensed engineer or registered architect.
- Outswing configurations meet water infiltration requirements for "HVHZ". All other configurations do not meet the water infiltration requirements for the "HVHZ" and must be installed only in non-habitable areas or at habitable locations protected by an overhang or canopy such that the angle between the edge of canopy or overhang to sill is less than 45 degrees.

### TABLE OF CONTENTS

SHEET #	DESCRIPTION
1	Typical elevations, design pressures & general notes
2	Door panel details
3	Sidelite panel details
4	Elevations
5	Horizontal cross sections
6	Vertical cross sections
7	Vertical cross sections
8	3-Point lock details
9	3-Point lock details
10	Buck anchoring
11	Frame anchoring
12	Bill of materials & components



This item has been digitally signed and sealed by L. F. Schmidt, P.E. on the date adjacent to the seal. Printed copies of this document are not considered signed and sealed and the signature must be verified on any electronic copies.

CONFIGURATION	MAX. FRAME DIMENSION	DESIGN PRESSURE (PSF)	
		POSITIVE	NEGATIVE
OX/XO	76.5" x 82.0"	+70.0	-70.0
OXO	115.5" x 82.0"	+70.0	-70.0

See Sheet 2 for hardware design pressure limitations

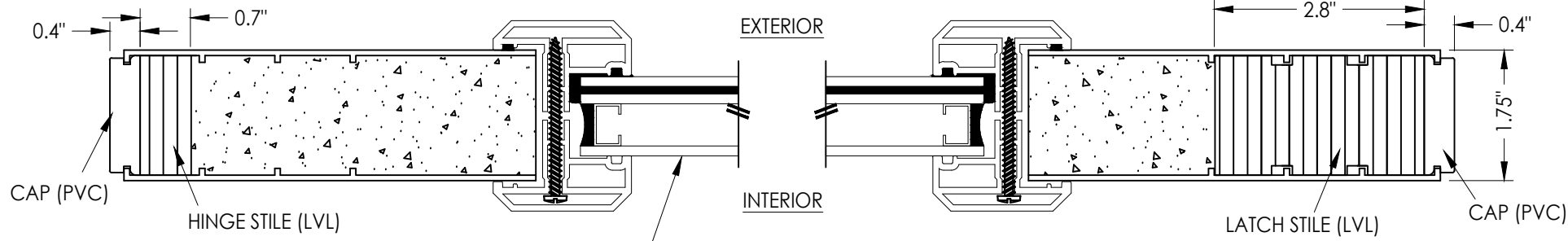
Documents Prepared By:  
Lyndon F. Schmidt  
P.E. No. 43409

*RW* BUILDING CONSULTANTS, INC.  
P.O. Box 230, Valrico, FL 33595  
Phone No.: 813.659.9197  
FBPE Registry No. 9813

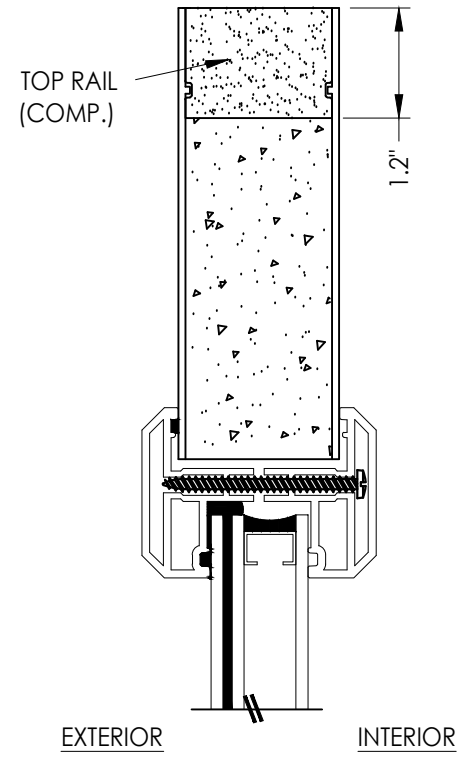
PRODUCT: WINCORE FIBERGLASS DOOR  
PART OR ASSEMBLY: TYPICAL ELEVATION, DESIGN PRESSURES & GENERAL NOTES

NO.	DATE	BY	REVISIONS
4	7/06/23	LFS	UPDATE TO 8TH ED. (2023) FBC & REVISE LITE FRAME
3	7/06/20	LFS	UPDATE TO 7TH ED. (2020) FBC
2	6/1/17	LFS	UPDATE TO 6TH ED. (2017) FBC
1	2/6/15	JK	UPDATE TO 5TH ED. (2014) FBC

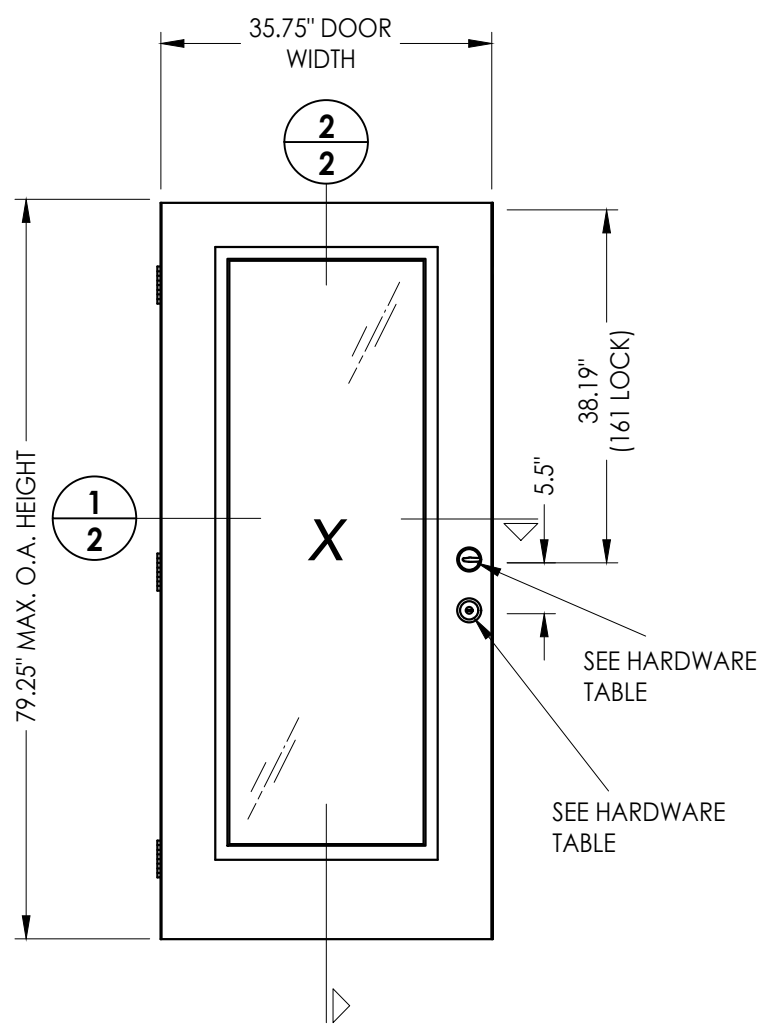
DATE: 05/10/12  
SCALE: N.T.S.  
DWG. BY: JK  
CHK. BY: LFS  
DRAWING NO.: FL-15631.5  
SHEET 1 OF 12



**1**  
**2** **HORIZONTAL CROSS SECTION**



**2**  
**2** **VERTICAL CROSS SECTION**



**40** **DOOR PANEL**  
Plastpro Fiberglass

HARDWARE TABLE			
MANUFACTURER	MODEL		MAX. DESIGN PRESSURE (PSF)
KWIKSET	KNOB:	SIGNATURE SERIES	$\pm 70$
	DEADBOLT:	SIGNATURE SERIES (980)	
SCHLAGE	KNOB:	"F" SERIES (F51)	$\pm 70$
	DEADBOLT:	"B" SERIES (B60/62)	
PAMEX	LEVER:	FL3B SERIES	$\pm 70$
	DEADBOLT:	FD7 SERIES	
HOPPE	MULTI-POINT LOCK:	HLS9000 (3-POINT TONGUE)	$\pm 50$
W & F	MULTI-POINT LOCK:	TRILENNIUM "3000" SERIES	$\pm 70$

See Sheets 7 & 8 for multi-point lock details.

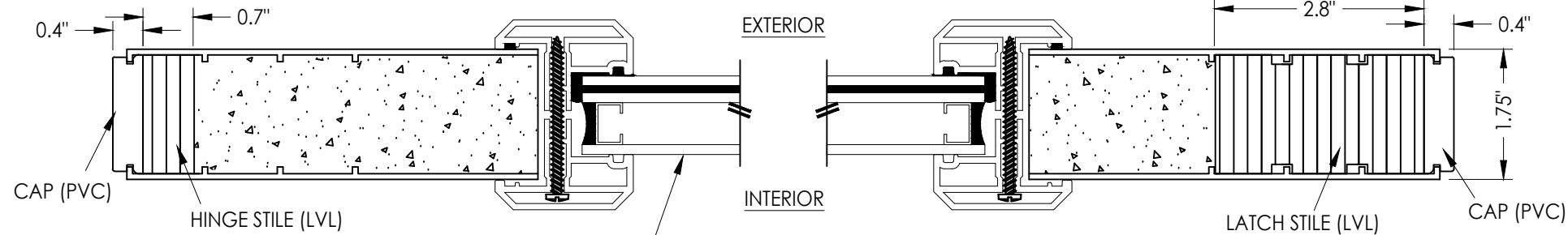
Documents Prepared By:  
Lyndon F. Schmidt  
P.E. No. 43409

**RW** BUILDING CONSULTANTS, INC.  
P.O. Box 230, Valrico, FL 33595  
Phone No.: 813.659.9197  
FBPE Registry No. 9813

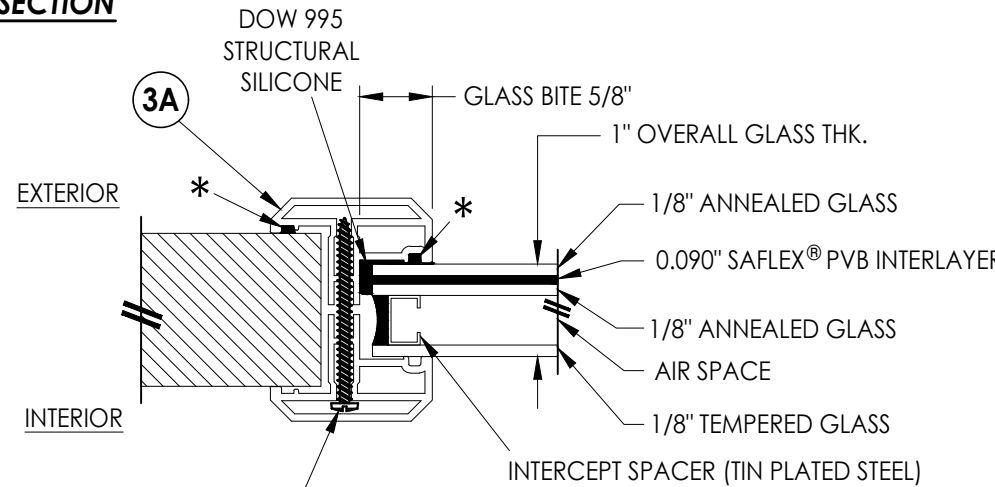
PRODUCT:  
WINCORE  
FIBERGLASS DOOR  
PART OR ASSEMBLY:  
DOOR PANEL DETAILS

REVISIONS	
NO.	DATE
4	7/06/23
3	7/06/20
2	6/1/17
1	1/13/15
	BY

DATE: 05/10/12  
SCALE: N.T.S.  
DWG. BY: JK  
CHK. BY: LFS  
DRAWING NO.: FL-15631.5  
SHEET 2 OF 12

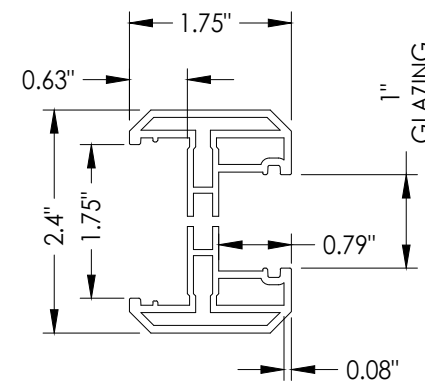


**1**  
**3** **HORIZONTAL CROSS SECTION**

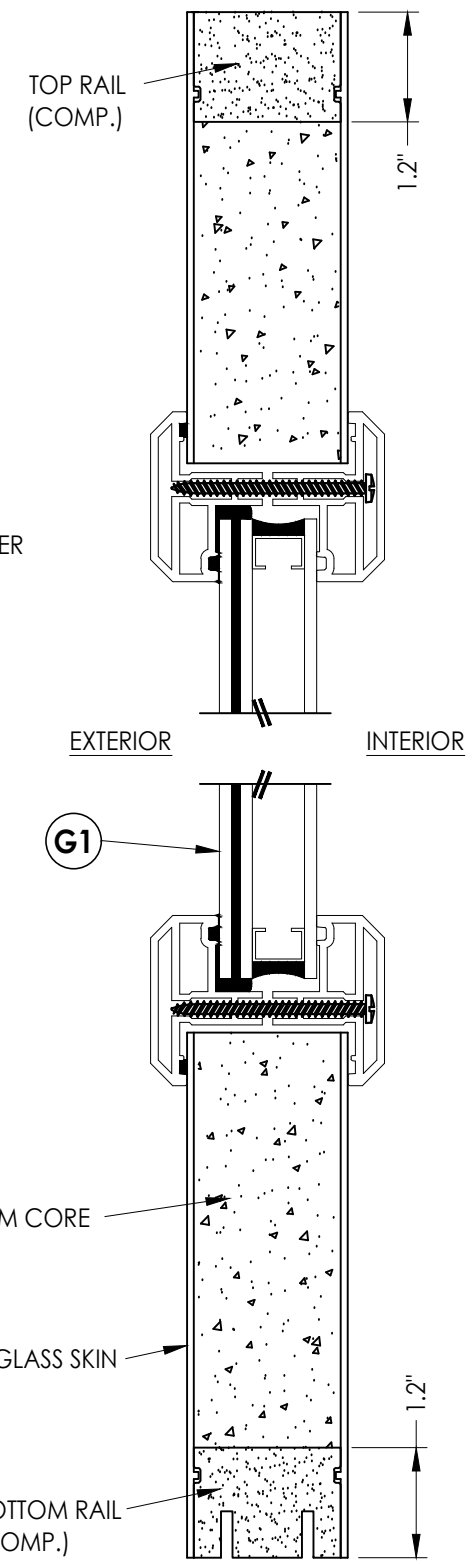


**G1** **GLAZING DETAIL**  
ODL "FLAT FRAME"

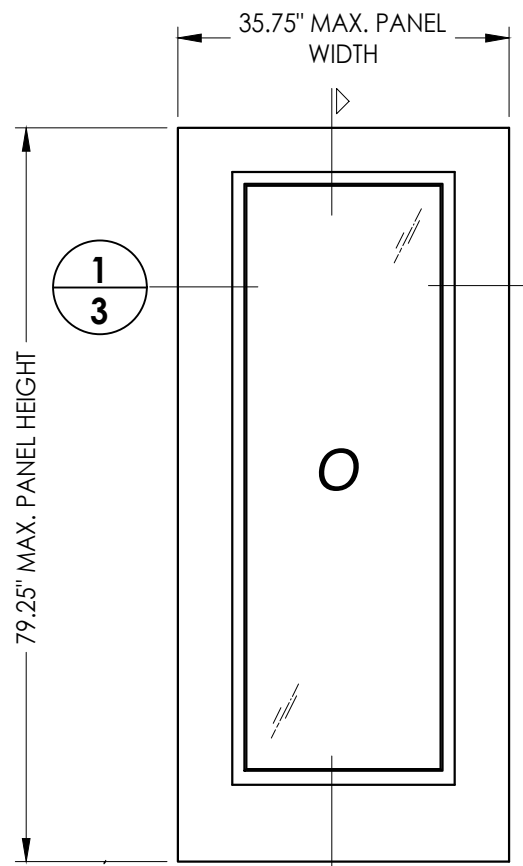
\* NON-STRUCTURAL  
BACKBEDDING SEALANT  
(READI-SEAL)



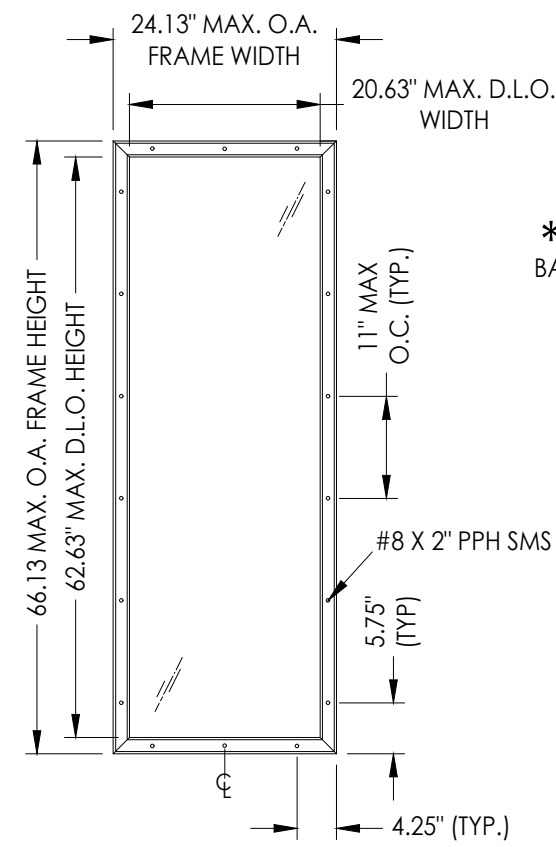
**3A** **ODL LITE FRAME**  
"FLAT FRAME" PROFILE  
(6063-T5 ALUM)



**2**  
**3** **VERTICAL CROSS SECTION**



**50** **PLASTPRO SIDELITE PANEL**



**ODL LITE FRAME DETAIL**  
"FLAT FRAME" PROFILE

FIBERGLASS SKIN: 0.125" MIN. THK. (MIN. Fy = 11,860 PSI)  
FOAM CORE: POLYURETHANE - 1.9 PCF MIN.)

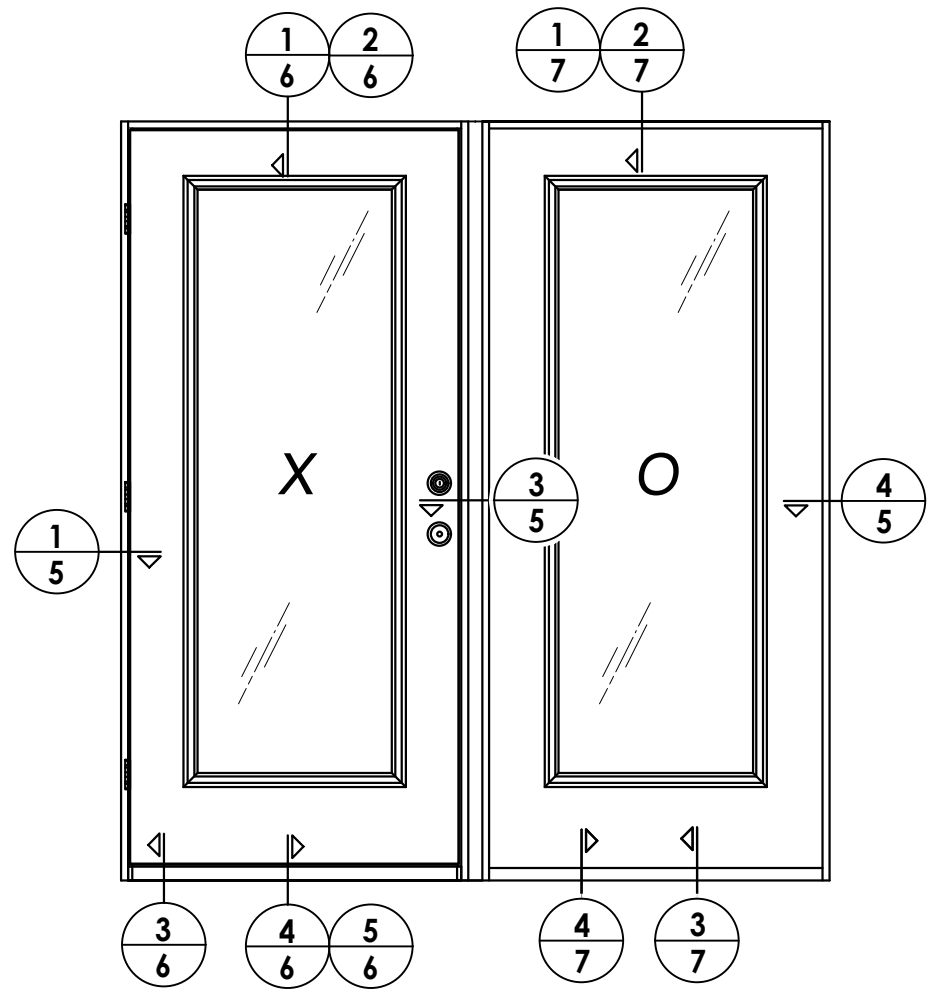
Documents Prepared By:  
Lyndon F. Schmidt  
P.E. No. 43409

**RW** BUILDING CONSULTANTS, INC.  
P.O. Box 230, Valrico, FL 33595  
Phone No.: 813.659.9197  
FBPE Registry No. 9813

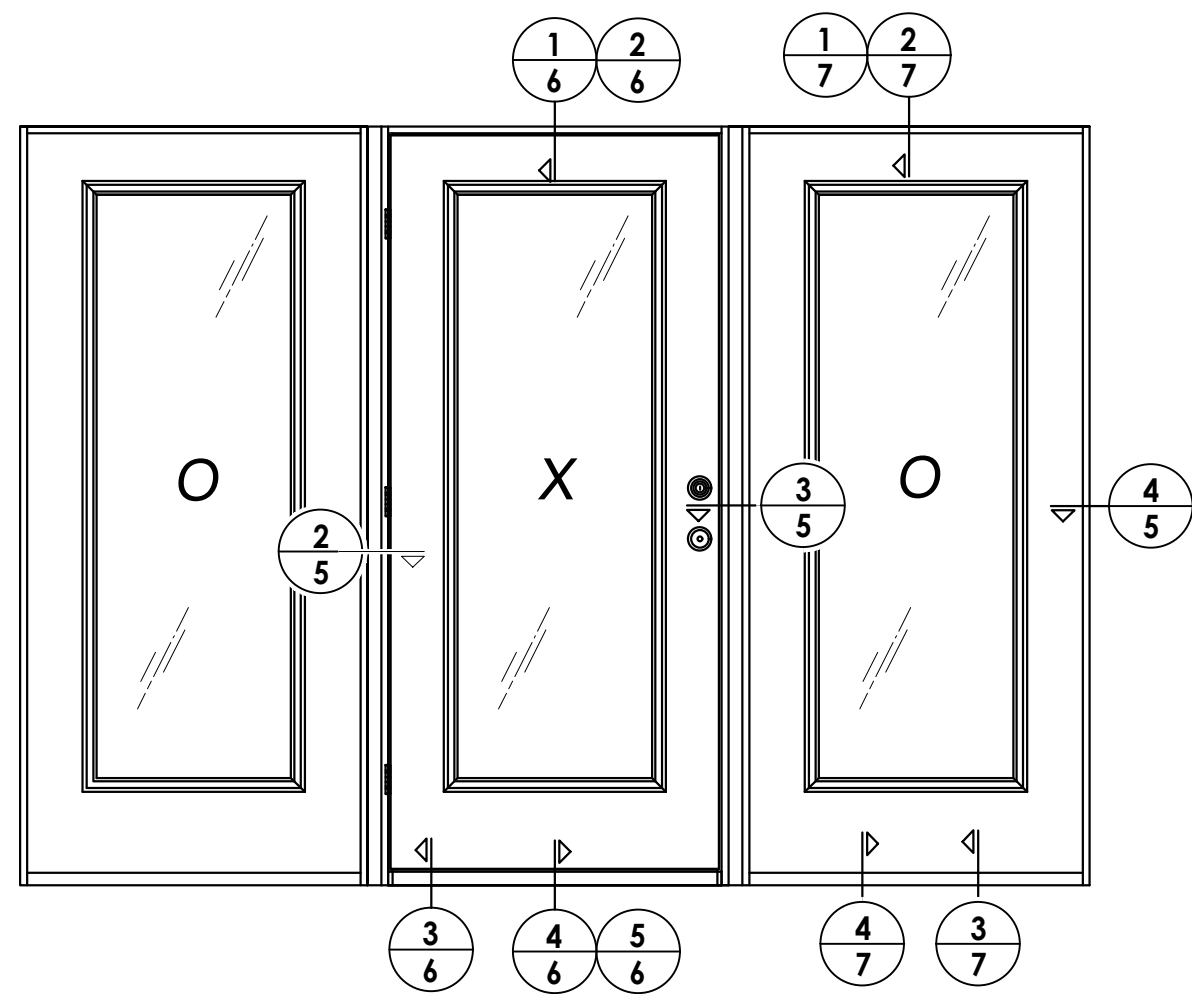
PRODUCT:	WINCORE FIBERGLASS DOOR
PART OR ASSEMBLY:	SIDELITE PANEL DETAILS

NO.	DATE	BY
4	7/06/23	LFS
3	7/06/20	FBC
2	6/1/17	FBC
1	1/13/15	FBC

DATE:	05/10/12
SCALE:	N.T.S.
DWG. BY:	JK
CHK. BY:	LFS
DRAWING NO.:	FL-15631.5
SHEET	3 OF 12



ELEVATION (XO - OX)



ELEVATION (OXO)

DATE:	05/10/12
SCALE:	N.T.S.
DWG. BY:	JK
CHK. BY:	LFS
DRAWING NO.:	FL-15631.5
SHEET	4 OF 12

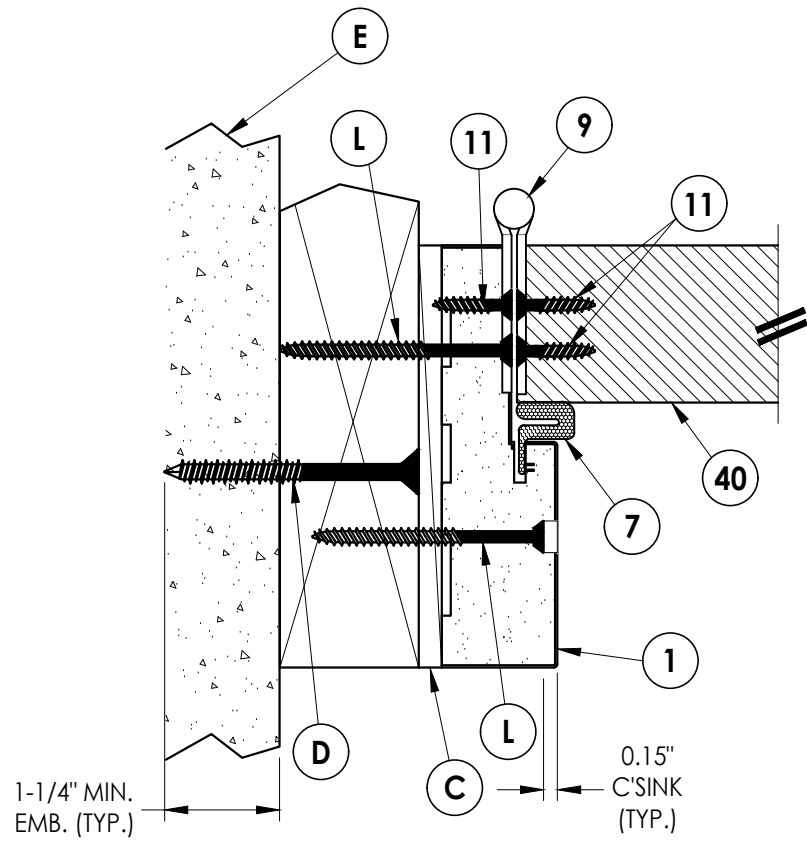
REVISIONS	
NO.	DATE
4	7/06/23
3	7/06/20
2	6/1/17
1	1/13/15

PRODUCT: WINCORE FIBERGLASS DOOR  
 PART OR ASSEMBLY: ELEVATIONS

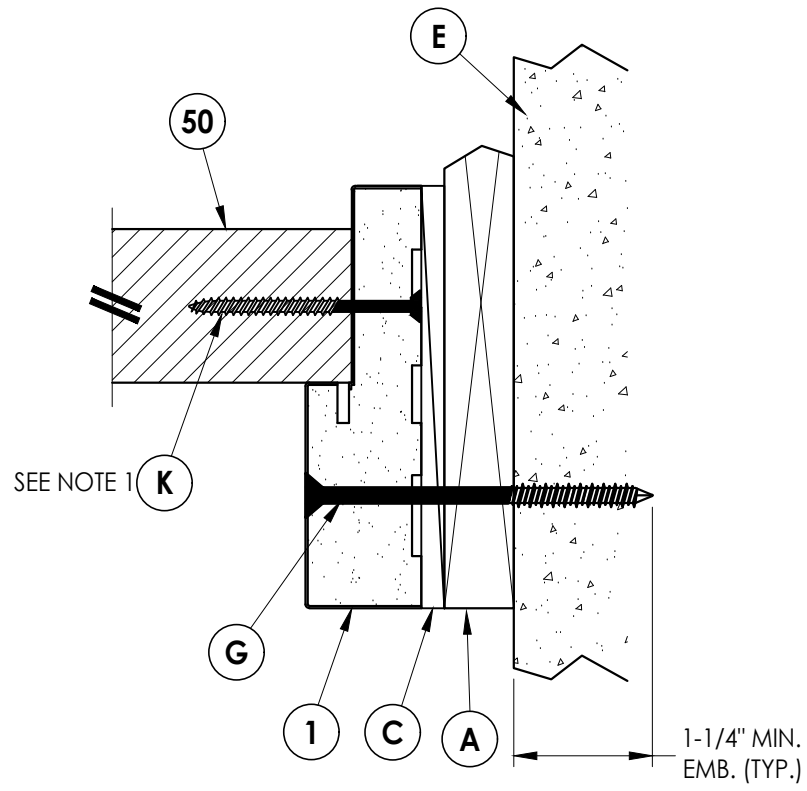
Documents Prepared By:  
 Lyndon F. Schmidt  
 P.E. No. 43409



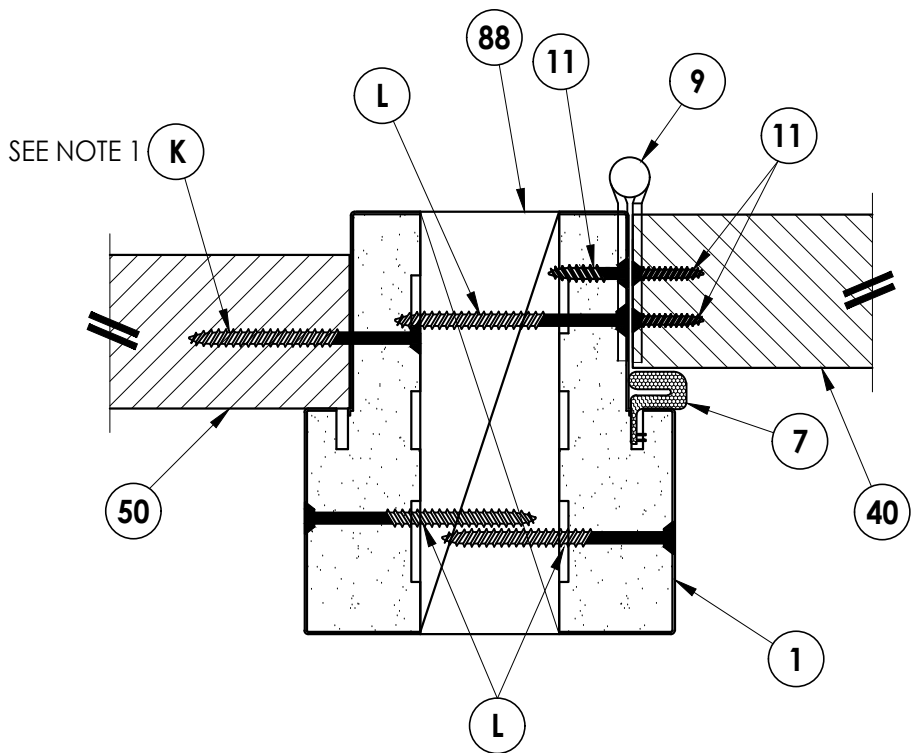
BUILDING CONSULTANTS, INC.  
 P.O. Box 230, Valrico, FL 33595  
 Phone No.: 813.659.9197  
 FBPE Registry No. 9813



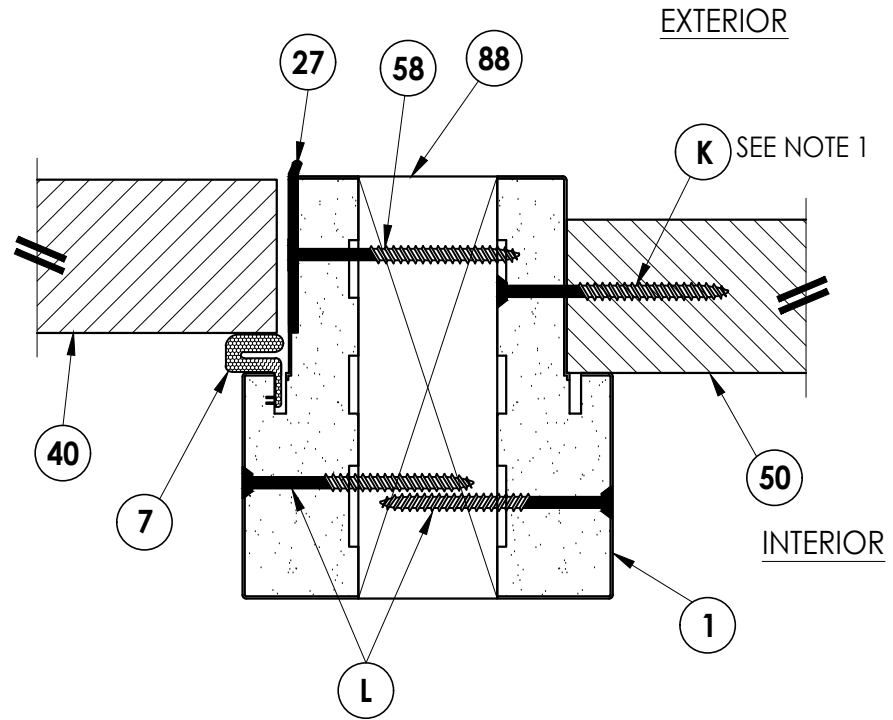
**1** **HORIZONTAL CROSS SECTION**  
**5** Outswing shown - Inswing also approved



**4** **HORIZONTAL CROSS SECTION**  
**5** Shown w/1X sub-buck



**2** **HORIZONTAL CROSS SECTION**  
**5** Outswing shown - Inswing also approved



**3** **HORIZONTAL CROSS SECTION**  
**5** Outswing shown - Inswing also approved

1-1/4" MIN. EMB. (TYP.)

0.15" C'SINK (TYP.)

1-1/4" MIN. EMB. (TYP.)

NOTE:  
 1. Spacing for item K: 6" from ends and 7 more equally spaced along sidelite (9 total).

Documents Prepared By:  
 Lyndon F. Schmidt  
 P.E. No. 43409

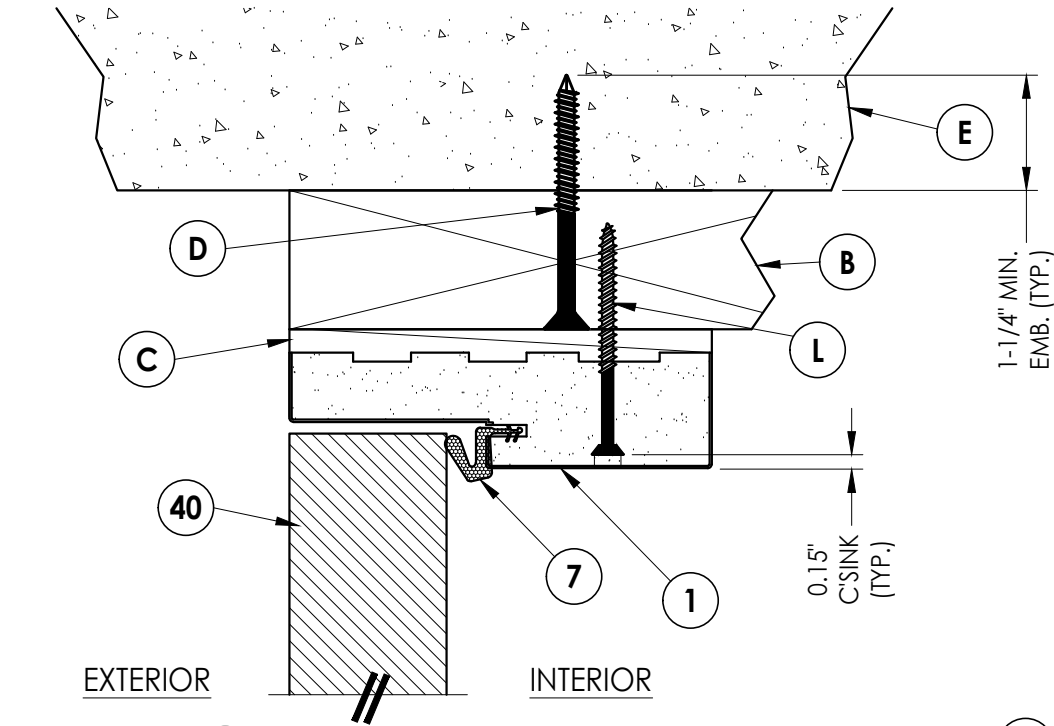
**RW** BUILDING CONSULTANTS, INC.  
 P.O. Box 230, Valrico, FL 33595  
 Phone No.: 813.659.9197  
 FBPE Registry No. 9813

PRODUCT:  
 WINCORE  
 FIBERGLASS DOOR  
 PART OR ASSEMBLY:  
 HORIZONTAL  
 CROSS SECTIONS

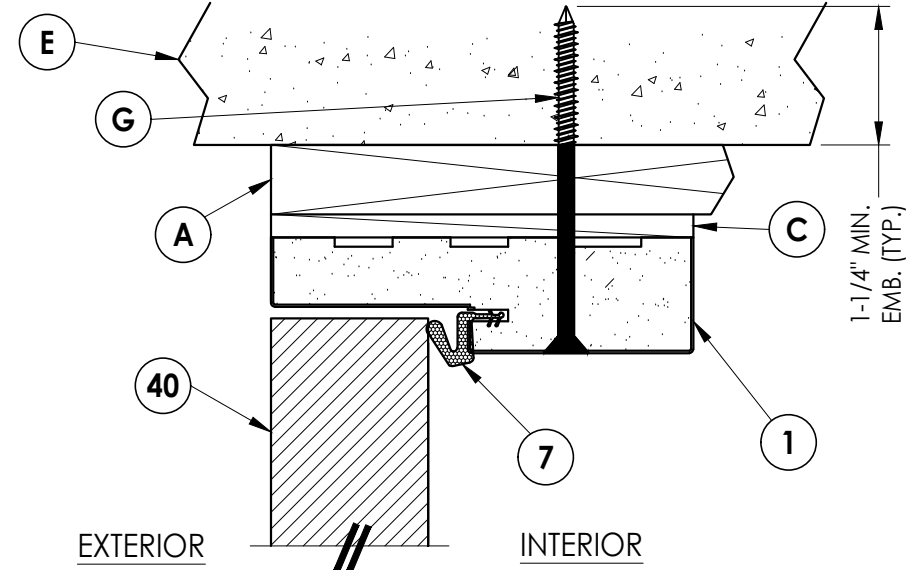
NO.	DATE	BY
4	7/06/23	LFS
3	7/06/20	LFS
2	6/1/17	LFS
1	2/6/15	JK

REVISIONS

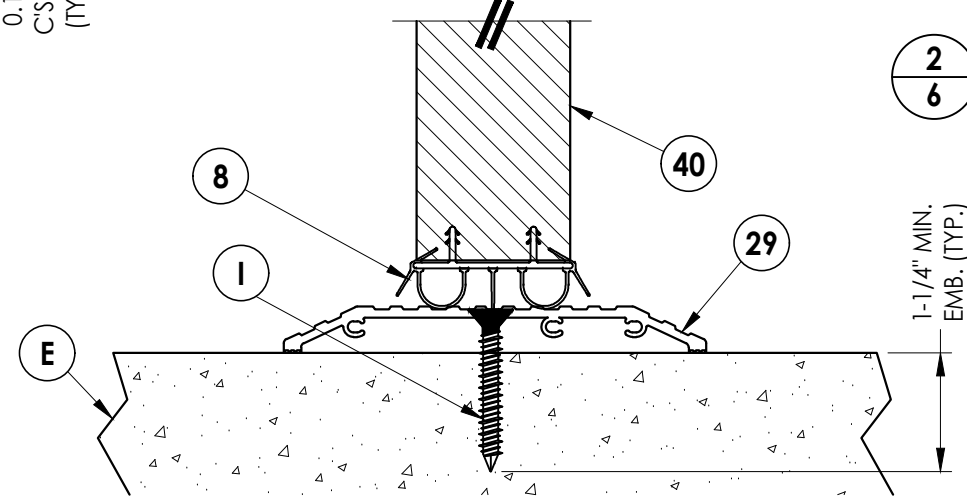
DATE: 05/10/12  
 SCALE: N.T.S.  
 DWG. BY: JK  
 CHK. BY: LFS  
 DRAWING NO.: FL-15631.5  
 SHEET 5 OF 12



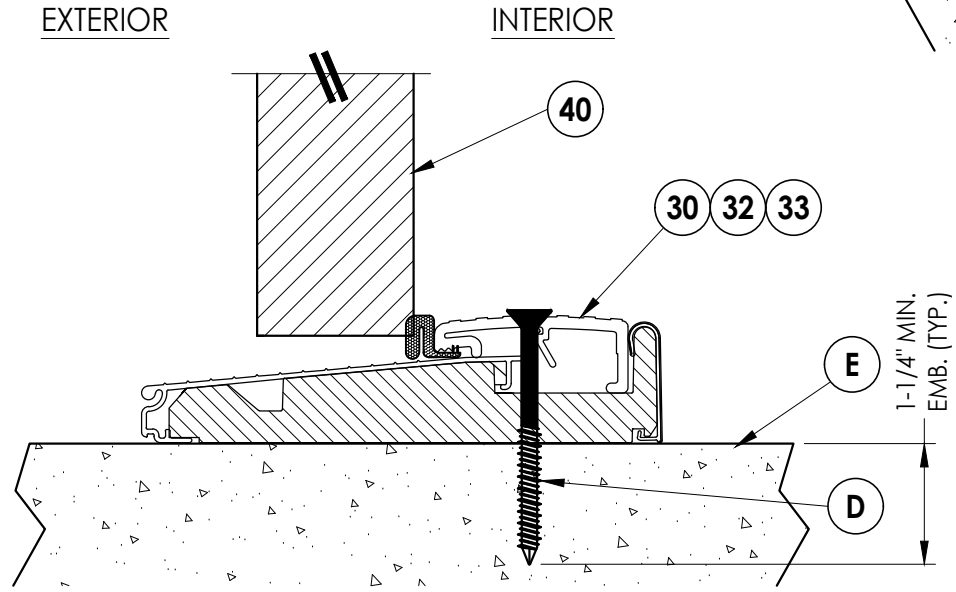
**1**  
**6** **VERTICAL CROSS SECTION**  
Outswing shown - Inswing also approved



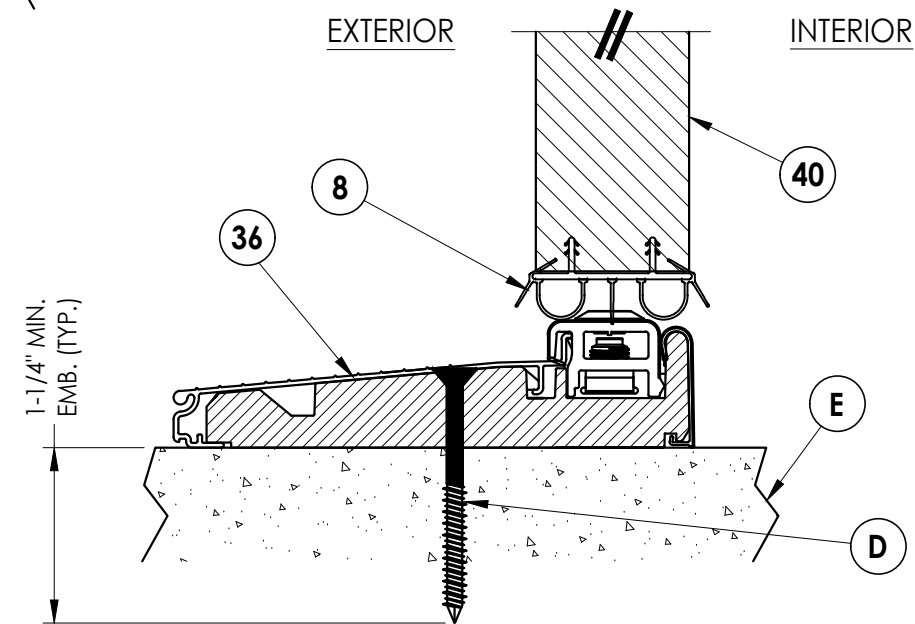
**2**  
**6** **VERTICAL CROSS SECTION**  
Shown w/1X sub-buck



**5**  
**6** **VERTICAL CROSS SECTION**  
Shown w/ ADA threshold



**3**  
**6** **VERTICAL CROSS SECTION**  
Outswing configuration



**4**  
**6** **VERTICAL CROSS SECTION**  
Inswing configuration

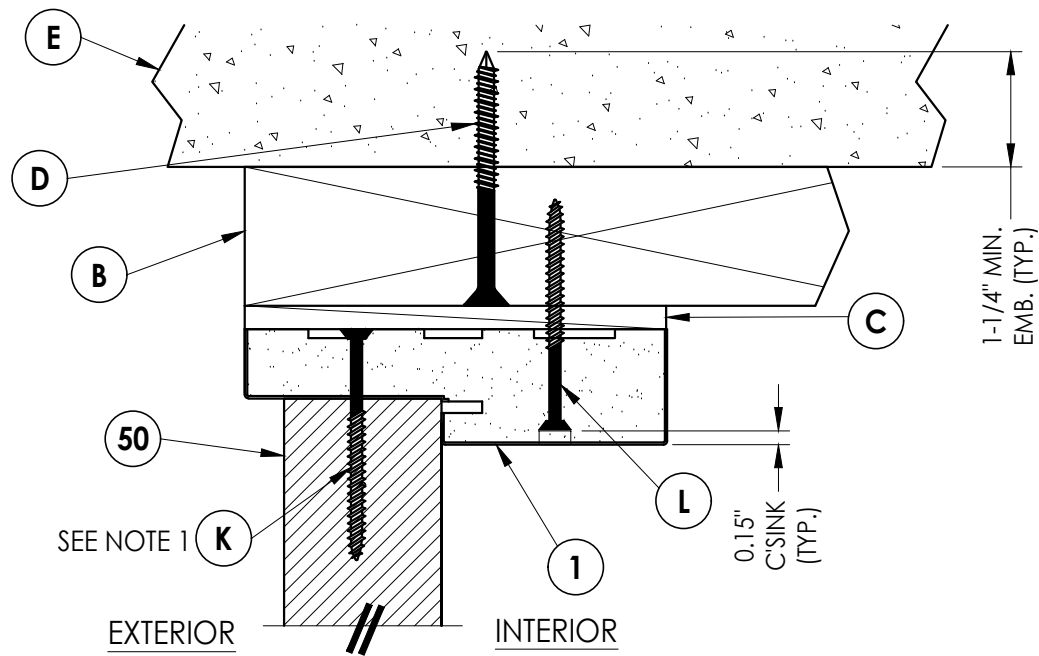
Documents Prepared By:  
Lyndon F. Schmidt  
P.E. No. 43409

**RW**  
BUILDING CONSULTANTS, INC.  
P.O. Box 230, Valrico, FL 33595  
Phone No.: 813.659.9197  
FBPE Registry No. 9813

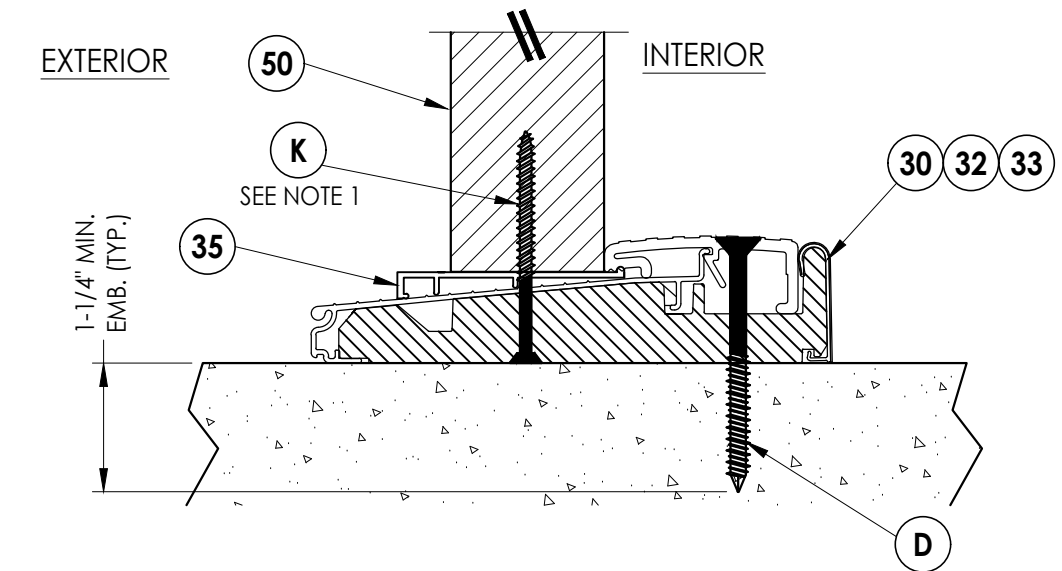
PRODUCT:  
WINCORE  
FIBERGLASS DOOR  
PART OR ASSEMBLY:  
VERTICAL CROSS SECTIONS

NO.	DATE	BY
4	7/06/23	LFS
3	7/06/20	LFS
2	6/1/17	LFS
1	2/6/15	JK

DATE: 05/10/12  
SCALE: N.T.S.  
DWG. BY: JK  
CHK. BY: LFS  
DRAWING NO.: FL-15631.5  
SHEET 6 OF 12

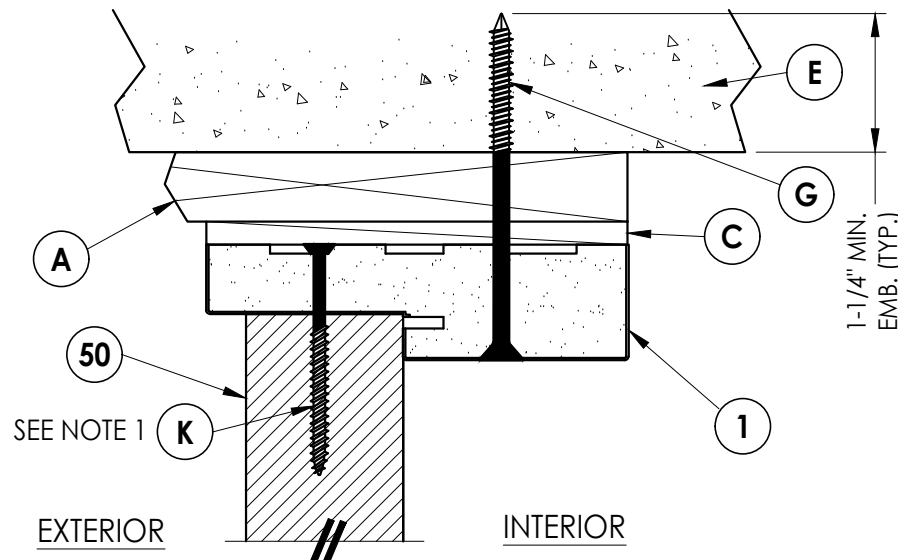


**1** VERTICAL CROSS SECTION  
**7** Outswing shown - Inswing also approved

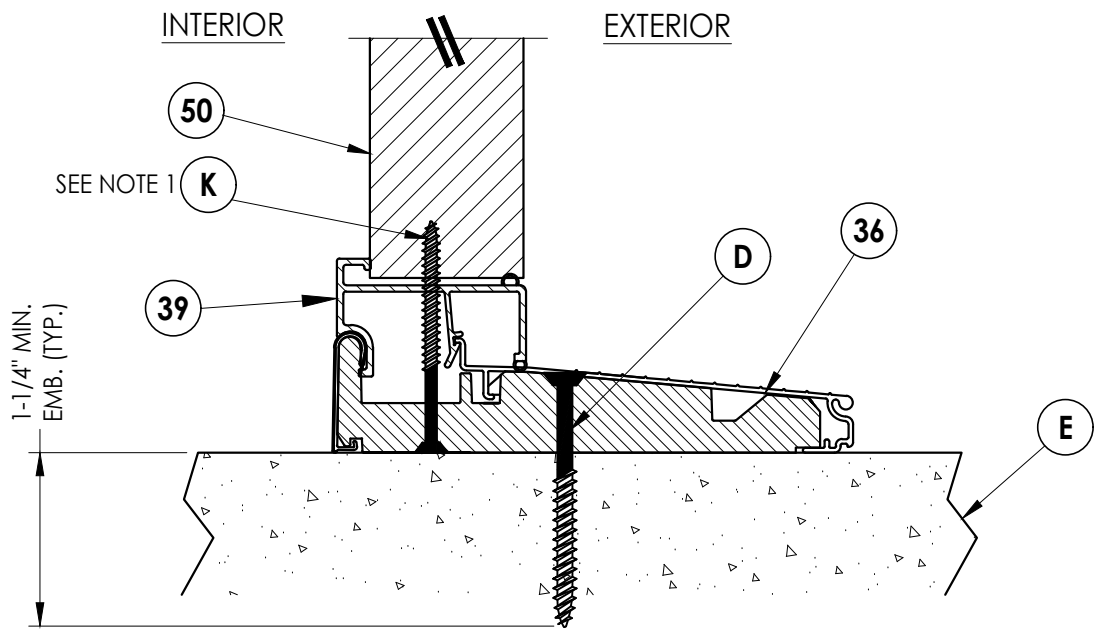


**3** VERTICAL CROSS SECTION  
**7** Outswing shown

NOTE  
 1. Spacing for item K:  
 6" from each end  
 and at centerline.



**2** VERTICAL CROSS SECTION  
**7** Shown w/1X sub-buck



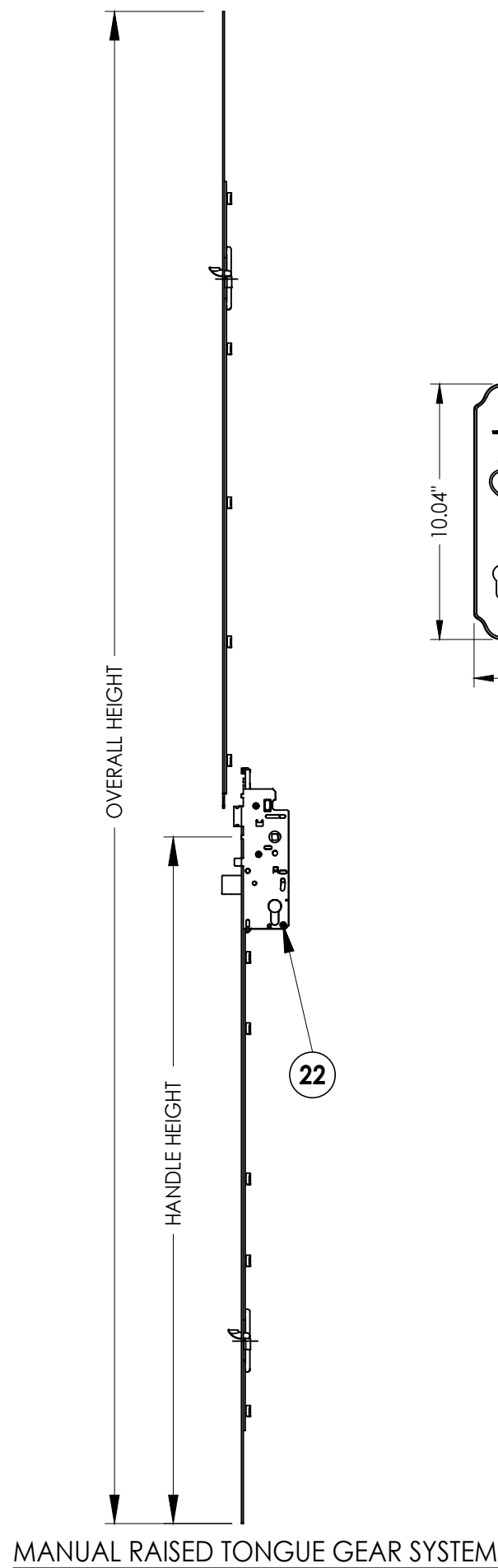
**4** VERTICAL CROSS SECTION  
**7** Inswing shown

Documents Prepared By:  
 Lyndon F. Schmidt  
 P.E. No. 43409  
 RW BUILDING CONSULTANTS, INC.  
 P.O. Box 230, Valrico, FL 33595  
 Phone No.: 813.659.9197  
 FBPE Registry No. 9813

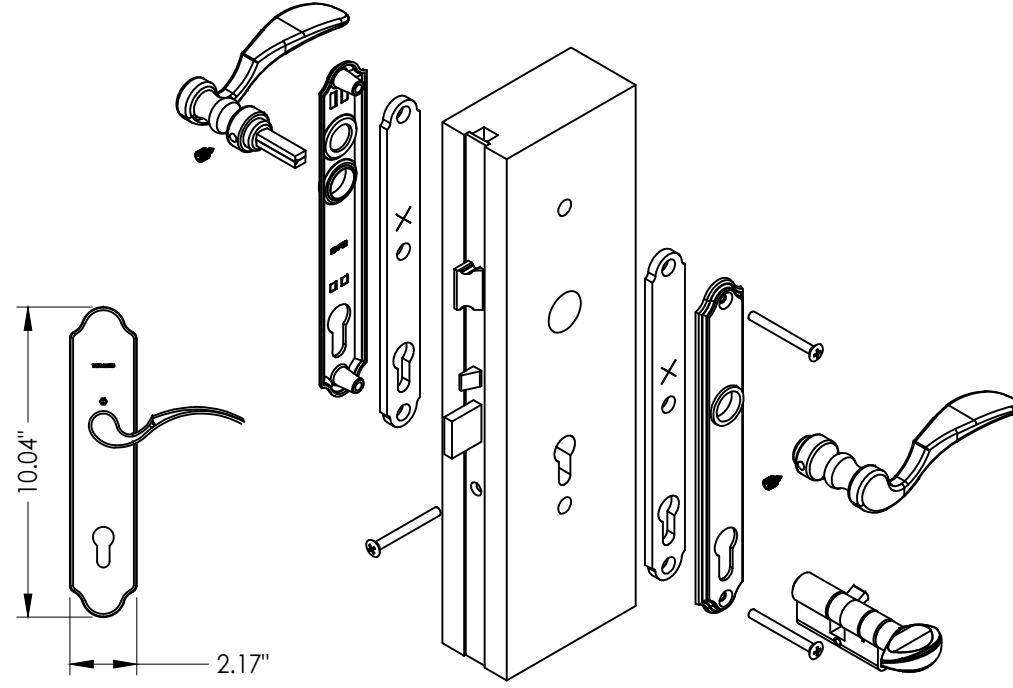
PRODUCT:  
 WINCORE  
 FIBERGLASS DOOR  
 PART OR ASSEMBLY:  
 VERTICAL  
 CROSS SECTIONS

REVISIONS	
NO.	DATE
4	7/06/23
3	7/06/20
2	6/1/17
1	2/6/15

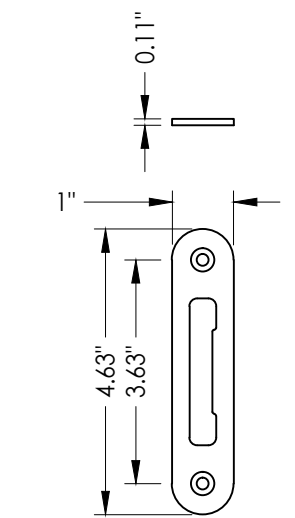
DATE: 05/10/12  
 SCALE: N.T.S.  
 DWG. BY: JK  
 CHK. BY: LFS  
 DRAWING NO.:  
 FL-15631.5  
 SHEET 7 OF 12



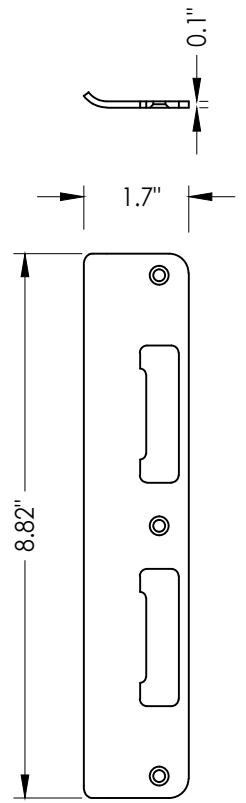
22



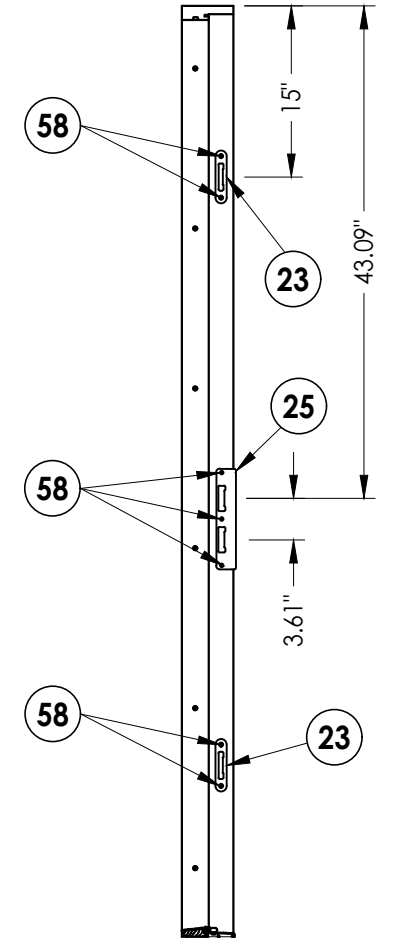
22 **HOPPE MULTI-POINT LOCKSET**  
HLS9000 (3-Point "Tongue")



23 **MULTI-POINT STRIKE PLATE**



25 **LATCH AND DEADBOLT STRIKE PLATE**  
Tongue system



Documents Prepared By:  
Lyndon F. Schmidt  
P.E. No. 43409

*RW*

BUILDING CONSULTANTS, INC.  
P.O. Box 230, Valrico, FL 33595  
Phone No.: 813.659.9197  
FBPE Registry No. 9813

PRODUCT:  
WINCORE  
FIBERGLASS DOOR

PART OR ASSEMBLY:  
3-POINT LOCK DETAILS

NO.	DATE	REVISIONS
4	7/06/23	UPDATE TO 8TH ED. (2023) FBC & REVISE LITE FRAME
3	7/06/20	UPDATE TO 7TH ED. (2020) FBC
2	6/1/17	UPDATE TO 6TH ED. (2017) FBC
1	2/6/15	UPDATE TO 5TH ED. (2014) FBC
		NO. DATE
		BY

DATE: 05/10/12

SCALE: N.T.S.

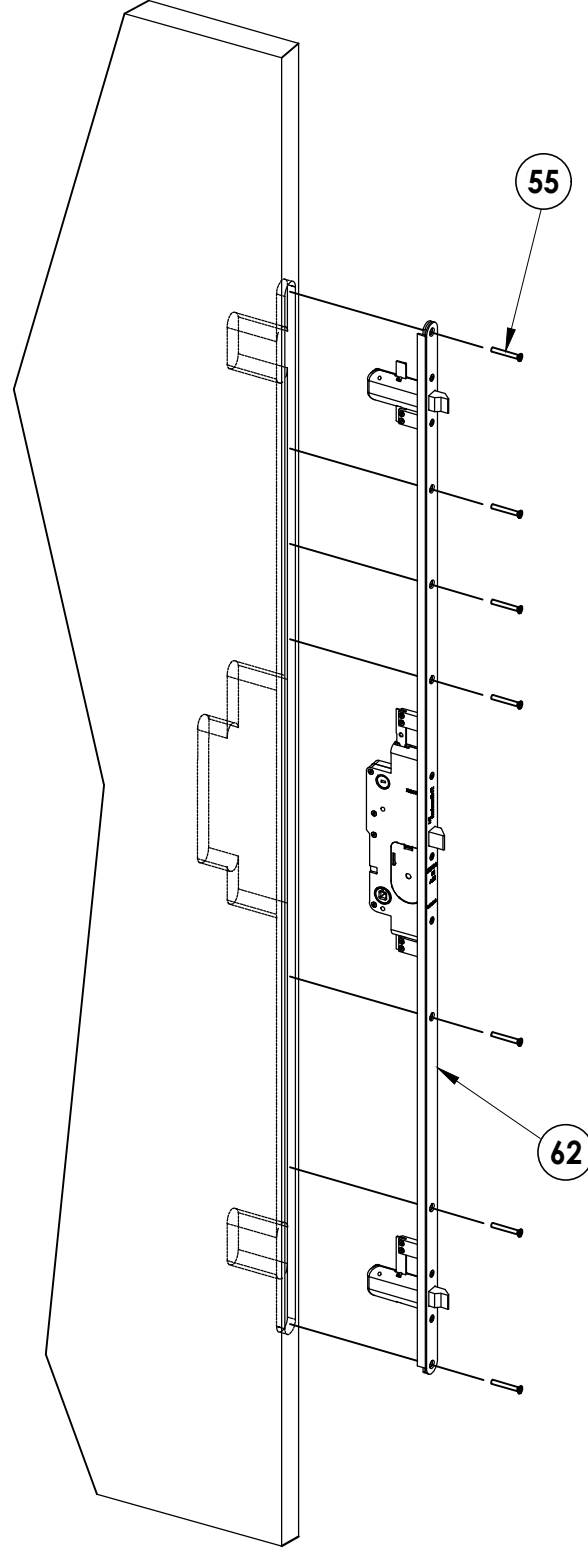
DWG. BY: JK

CHK. BY: LFS

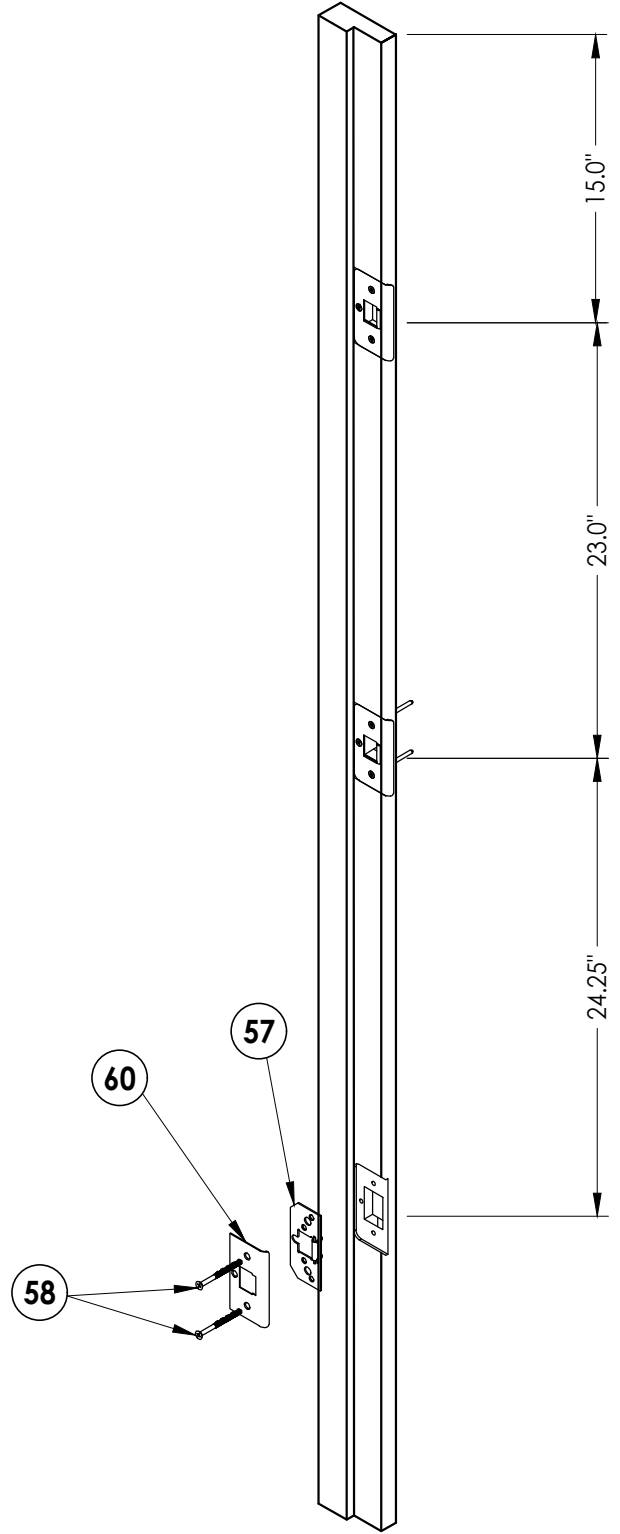
DRAWING NO.: FL-15631.5

SHEET 8 OF 12



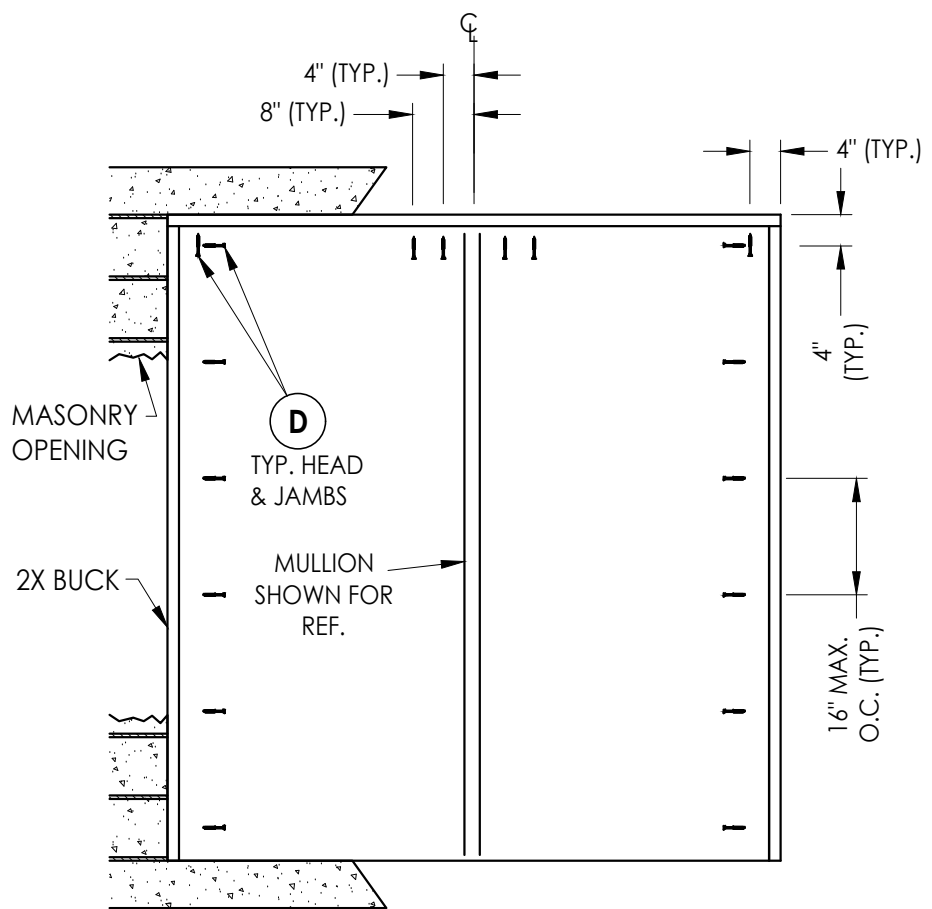


**59** **ENDURA TRIENNium 3000 SERIES**  
3-Point Lock

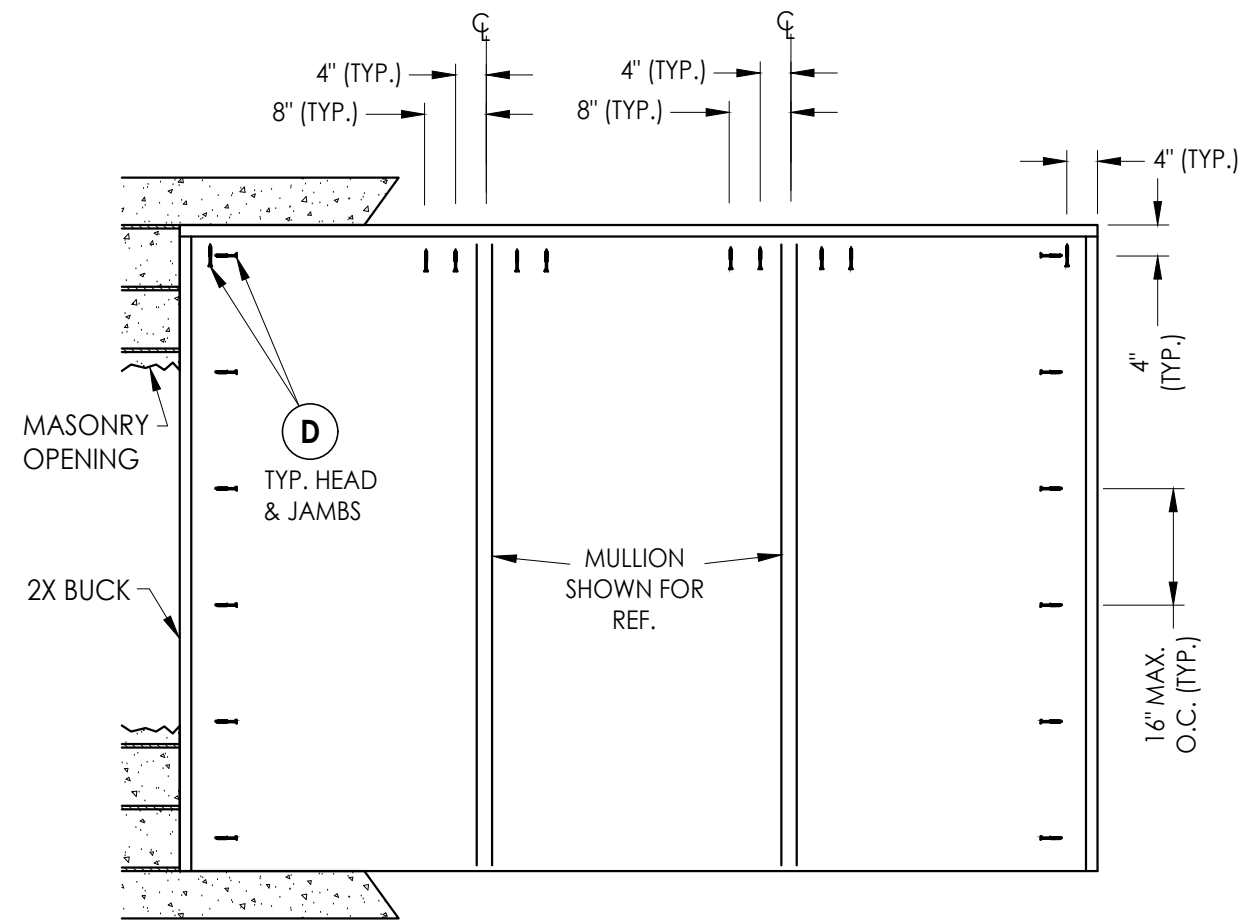


**STRIKE JAMB DETAIL**

Documents Prepared By: Lyndon F. Schmidt P.E. No. 43409		PRODUCT: WINCORE FIBERGLASS DOOR		BUILDING CONSULTANTS, INC. P.O. Box 230, Vairico, FL 33595 Phone No.: 813.659.9197 FBPE Registry No. 9813	
PART OR ASSEMBLY: 3-POINT LOCK DETAILS		REVISIONS		DATE: 05/10/12	
SCALE: N.T.S.		NO. DATE		DWG. BY: JK	
CHK. BY: LFS		4 7/06/23 UPDATE TO 8TH ED. (2023) FBC & REVISE LITE FRAME		DRAWING NO.: FL-15631.5	
DRAWING NO.: FL-15631.5		3 7/06/20 UPDATE TO 7TH ED. (2020) FBC		SHEET 9 OF 12	
SHEET 9 OF 12		2 6/1/17 UPDATE TO 6TH ED. (2017) FBC		© 2012 R.W. BUILDING CONSULTANTS INC.	
		1 2/6/15 UPDATE TO 5TH ED. (2014) FBC			



**BUCK ANCHORING**  
OX



**BUCK ANCHORING**  
OXO

**CONCRETE ANCHOR NOTES:**

- Concrete anchor locations at the corners may be adjusted to maintain the min. edge distance to mortar joints.
- Concrete anchor locations noted as "MAX. ON CENTER" must be adjusted to maintain the min. edge distance to mortar joints, additional concrete anchors may be required to ensure the "MAX. ON CENTER" dimensions are not exceeded.
- Concrete anchor table:

ANCHOR TYPE	ANCHOR SIZE	MIN. EMBEDMENT	MIN. CLEARANCE TO MASONRY EDGE	MIN. CLEARANCE TO ADJACENT ANCHOR
ITW TAPCON®	3/16"	1-1/4"	3"	1-1/2"
ITW TAPCON®	1/4"	1-1/4"	2"	4"

**WOOD SCREW INSTALLATION NOTES:**

- Maintain a minimum 5/8" edge distance, 1" end distance, & 1" o.c. spacing of wood screws to prevent the splitting of wood.

Documents Prepared By:  
Lyndon F. Schmidt  
P.E. No. 43409

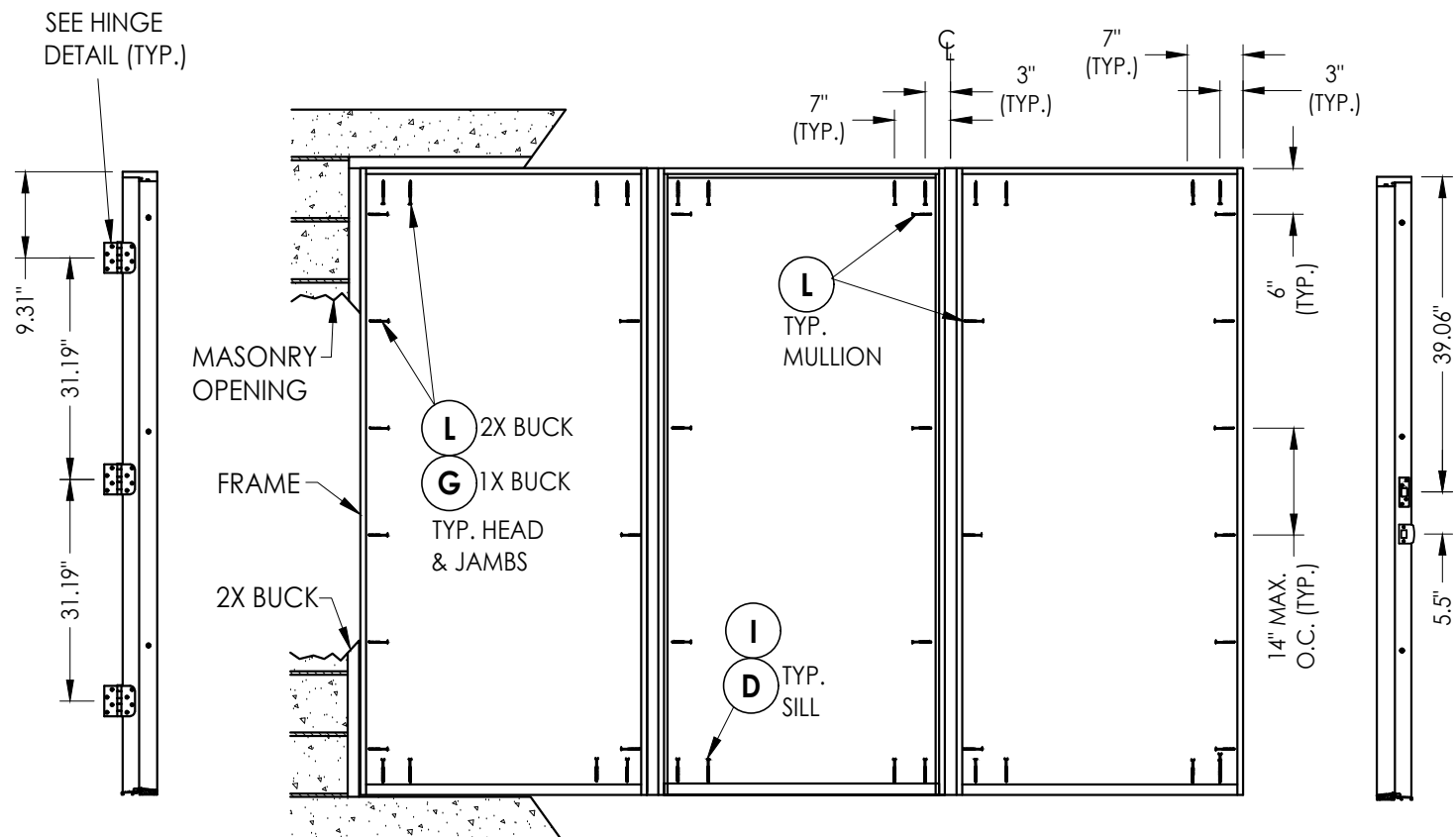
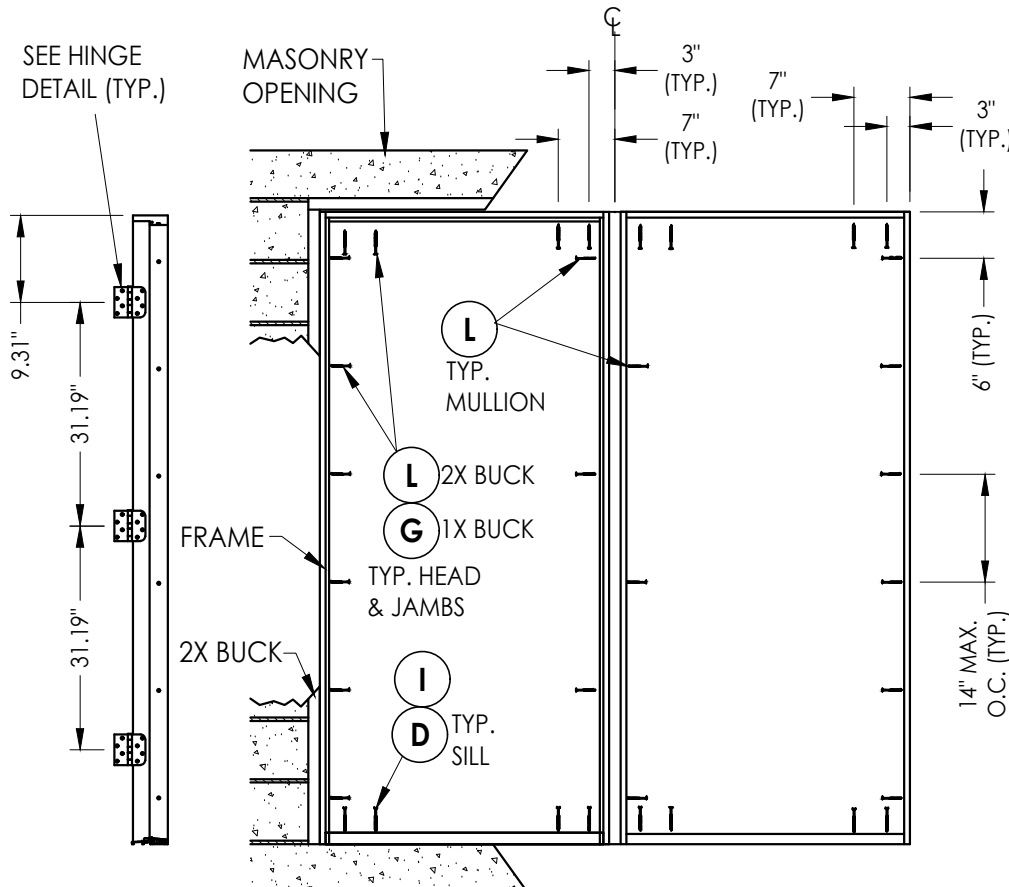
**RW**  
BUILDING CONSULTANTS, INC.  
P.O. Box 230, Valrico, FL 33595  
Phone No.: 813.659.9197  
FBPE Registry No. 9813

PRODUCT:  
WINCORE  
FIBERGLASS DOOR

PART OR ASSEMBLY:  
BUCK ANCHORING

NO.	DATE	DESCRIPTION	BY
4	7/06/23	UPDATE TO 8TH ED. (2023) FBC & REVISE LITE FRAME	LFS
3	7/06/20	UPDATE TO 7TH ED. (2020) FBC	LFS
2	6/1/17	UPDATE TO 6TH ED. (2017) FBC	LFS
1	2/6/15	UPDATE TO 5TH ED. (2014) FBC	JK
		REVISIONS	

DATE: 05/10/12  
SCALE: N.T.S.  
DWG. BY: JK  
CHK. BY: LFS  
DRAWING NO.: FL-15631.5  
SHEET 10 OF 12



**HINGE JAMB**

**FRAME ANCHORING**  
OX

**STRIKE MULLION**  
Latch & Deadbolt

**HINGE MULLION**

**FRAME ANCHORING**  
OXO

**STRIKE MULLION**  
Latch & Deadbolt

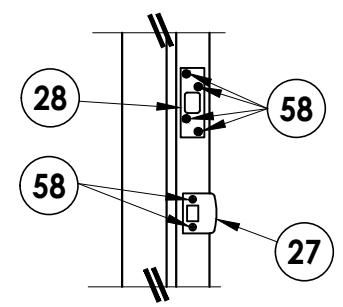
**CONCRETE ANCHOR NOTES:**

- Concrete anchor locations at the corners may be adjusted to maintain the min. edge distance to mortar joints.
- Concrete anchor locations noted as "MAX. ON CENTER" must be adjusted to maintain the min. edge distance to mortar joints, additional concrete anchors may be required to ensure the "MAX. ON CENTER" dimensions are not exceeded.
- Concrete anchor table:

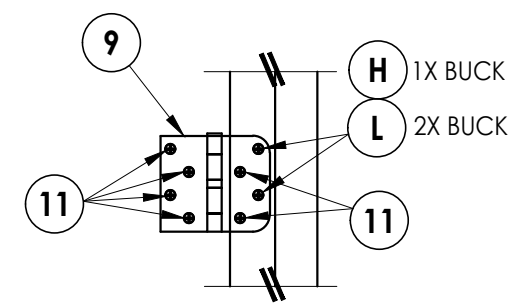
ANCHOR TYPE	ANCHOR SIZE	MIN. EMBEDMENT	MIN. CLEARANCE TO MASONRY EDGE	MIN. CLEARANCE TO ADJACENT ANCHOR
ITW TAPCON®	3/16"	1-1/4"	3"	1-1/2"
ITW TAPCON®	1/4"	1-1/4"	2"	4"

**WOOD SCREW INSTALLATION NOTES:**

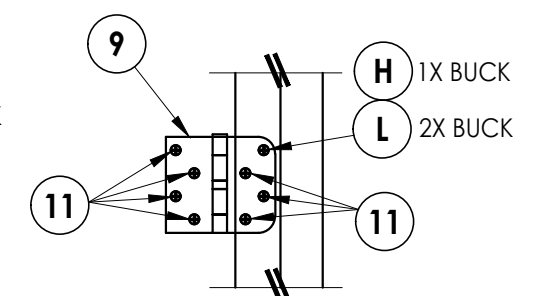
- Maintain a minimum 5/8" edge distance, 1" end distance, & 1" o.c. spacing of wood screws to prevent the splitting of wood.



**LATCH AND DEADBOLT**  
Details



**HINGE DETAIL**  
Inswing



**HINGE DETAIL**  
Outswing

Documents Prepared By:  
Lyndon F. Schmidt  
P.E. No. 43409

**RW**  
BUILDING CONSULTANTS, INC.  
P.O. Box 230, Valrico, FL 33595  
Phone No.: 813.659.9197  
FBPE Registry No. 9813

PRODUCT: WINCORE FIBERGLASS DOOR  
PART OR ASSEMBLY: FRAME ANCHORING

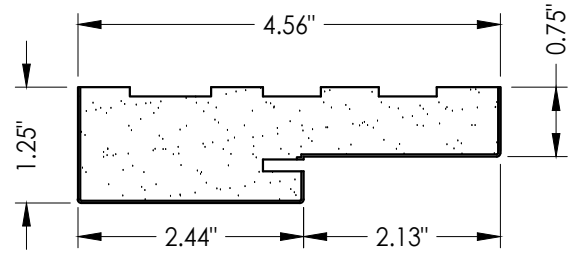
NO.	DATE	BY
4	7/06/23	LFS
3	7/06/20	LFS
2	6/1/17	LFS
1	2/6/15	JK

REVISIONS

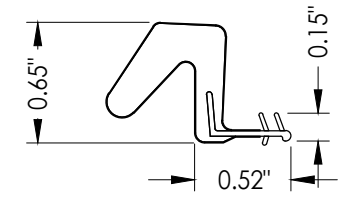
DATE: 05/10/12  
SCALE: N.T.S.  
DWG. BY: JK  
CHK. BY: LFS  
DRAWING NO.: FL-15631.5  
SHEET 11 OF 12

**BILL OF MATERIALS**

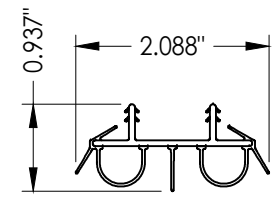
ITEM #	DESCRIPTION	MATERIAL
A	1X BUCK (G >= 0.55)	WOOD
B	2X BUCK (G >= 0.55)	WOOD
C	1/4" MAX. SHIM SPACE	-
D	1/4" X 2-3/4" PFH ITW CONCRETE SCREW	STEEL
E	MASONRY - 3,000 PSI MIN. CONCRETE CONFORMING TO ACI 301 OR HOLLOW BLOCK CONFORMING TO ASTM C90	CONCRETE
G	1/4" X 3-3/4" PFH ITW CONCRETE SCREW	STEEL
H	3/16" x 3-1/4" PFH ITW CONCRETE SCREW	STEEL
I	1/4" X 1-3/4" PFH ITW CONCRETE SCREW	STEEL
L	#8 X 2-1/2" PFH WOOD SCREW (1.15" MIN. EMBEDMENT)	STEEL
K	#9 X 2-1/2" PFH WOOD SCREW	STEEL
1	POLY FIBER JAMB	POLY FIBER
3	EXT. FRAME (ODL)	ALUM.
4	INT. FRAME (ODL)	ALUM.
5	#7-19 X 1-3/4" PPH SELF-DRILLING SMS	STEEL
7	WEATHERSTRIP	FOAM
8	DOOR BOTTOM SWEEP	VINYL
9	4" X 4" BUTT HINGE	STEEL
11	#9 X 3/4" PFH WOOD SCREW	STEEL
12	NON-STRUCTURAL SEALANT	SILICONE
13	STRUCTURAL SILICONE (DOW 995)	SILICONE
22	HOPPE - HLS9000 (3-PT. TONGUE) MULTI-POINT LOCKSET	STEEL
23	MULTI-POINT STRIKE PLATE (TONGUE SYSTEM)	STEEL
25	LATCH AND DEADBOLT STRIKE PLATE (TONGUE SYSTEM)	STEEL
27	LATCH STRIKE PLATE	STEEL
28	DEADBOLT STRIKE PLATE (SECURITY)	STEEL
29	ADA THRESHOLD	ALUM
30	OUTSWING THRESHOLD	ALUM/WOOD
32	OUTSWING THRESHOLD	ALUM/WOOD
33	OUTSWING THRESHOLD	ALUM/COMP
35	OUTSWING SIDELITE ADAPTER	VINYL
36	INSWING THRESHOLD	ALUM/COMP
39	INSWING SIDELITE ADAPTER	VINYL
40	DOOR PANEL - SEE DOOR PANEL DETAIL SHEET FOR DETAILS	-
50	SIDELITE PANEL - SEE SIDELITE PANEL DETAIL SHEET FOR DETAILS	-
55	#10 X 1-1/2" PFH SCREW	STEEL
57	BACKING PLATE	STEEL
58	#8 X 2" PFH WS	STEEL
59	ENDURA TRILENNIUM SERIES 3000 - 3 POINT LOCK	-
60	MULTI-POINT STRIKE PLATE	STEEL
62	LOCK ASSEMBLY	STEEL
88	2X REINFORCEMENT (G >= 0.55)	WOOD



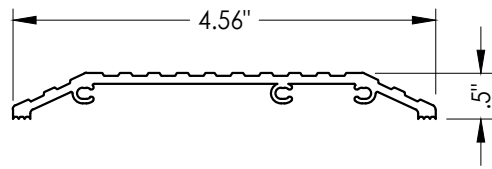
**1 POLY FIBER JAMB**  
Plastpro



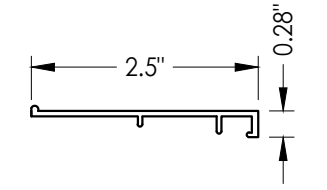
**7 WEATHERSTRIP**  
Endura Force 5



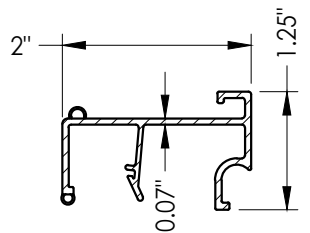
**8 DOOR BOTTOM SWEEP**



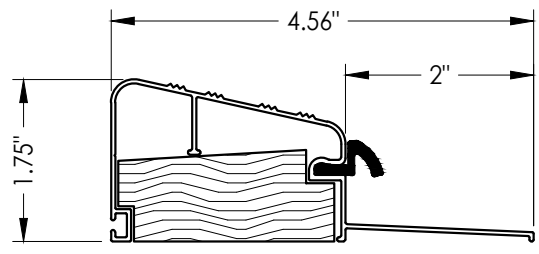
**29 ADA THRESHOLD**  
DLP



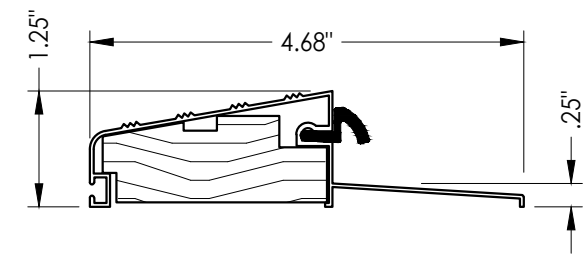
**35 OUTSWING SIDELITE ADAPTER**



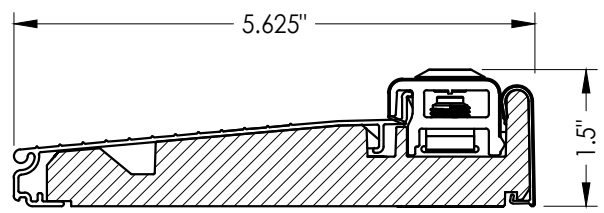
**39 INSWING SIDELITE ADAPTER**



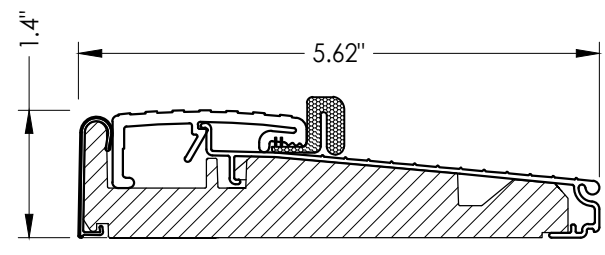
**30 OUTSWING THRESHOLD**  
DLP (QOSR)



**32 OUTSWING THRESHOLD**  
DLP (QOSH)



**36 INSWING THRESHOLD**  
Endura (Z-Series)



**33 OUTSWING THRESHOLD**  
Endura (Z-Series)

Documents Prepared By:  
Lyndon F. Schmidt  
P.E. No. 43409

**RW**  
BUILDING CONSULTANTS, INC.  
P.O. Box 230, Valrico, FL 33595  
Phone No.: 813.659.9197  
FBPE Registry No. 9813

PRODUCT: WINCORE FIBERGLASS DOOR  
PART OR ASSEMBLY: BILL OF MATERIALS & COMPONENTS

NO.	DATE	REVISIONS				
		LFS	FBC	FBC	FBC	BY
4	7/06/23	UPDATE TO 8TH ED. (2023) & REVISE LITE FRAME				
3	7/06/20	UPDATE TO 7TH ED. (2020)				
2	6/1/17	UPDATE TO 6TH ED. (2017)				
1	2/6/15	UPDATE TO 5TH ED. (2014)				

DATE: 05/10/12  
SCALE: N.T.S.  
DWG. BY: JK  
CHK. BY: LFS  
DRAWING NO.: FL-15631.5  
SHEET 12 OF 12